

Specification

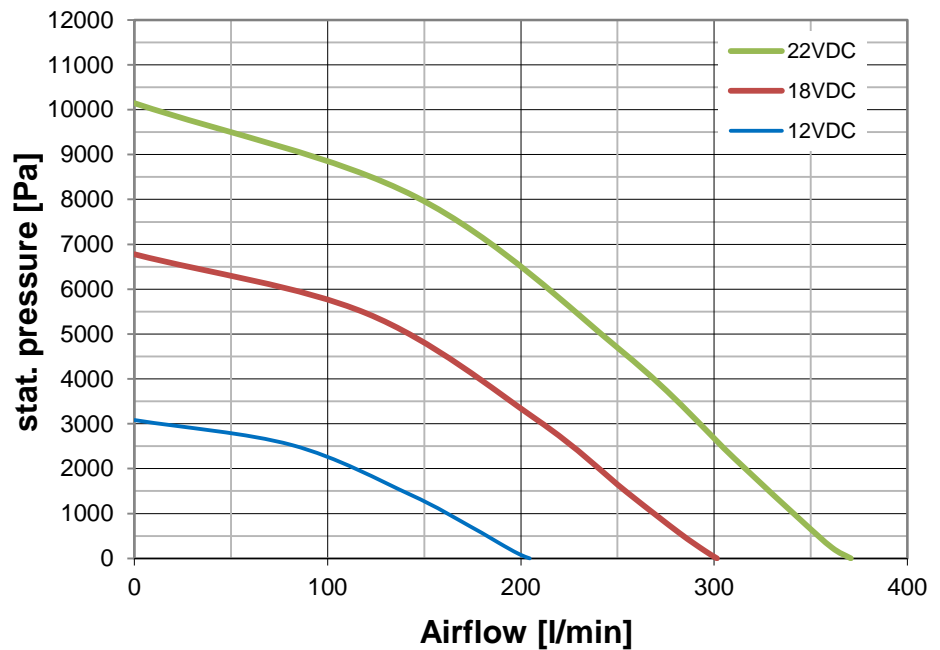
Product	U65H2-024KX-F	
Product type	High pressure two stage radial blower	
Customer		
Modification No.	692	
Modification	Information obligation (Status 22) Added DP190 to seal blower	
Design	Motor	Electronic commutated motor (brushless) Neodym – Ferrit Magnet 2 Ball bearing
	Impeller	Mat. Polyamid (PA6)
	Housing	Mat. Polycarbonate (PC)
	Motor support	Mat. Aluminium, anodised, natural colour
	Electric connection	Lead wire AWG 24, UL 3132, Silicone Length see dimensional drawing.
	Label	Mat. Plastic, size 17x55 mm


Performance
Density 1.2 g/dm³

Operating range	Nominal voltage	[V]	18
	Voltage range	[V]	12 to 22
Free blowing	Current	[mA]	2'270
	Power	[W]	41
	Speed	[min ⁻¹]	33'650
	Air flow	[l/min]	330
Typ. Working point (Appr. 50% Q _{max})	Current	[mA]	2'010
	Power	[W]	36
	Speed	[min ⁻¹]	34'200
	Air flow	[l/min]	220
	Pressure	[Pa]	3'800
Static pressure	Current	[mA]	790
	Power	[W]	14
	Speed	[min ⁻¹]	36'400
	Pressure	[Pa]	7'300

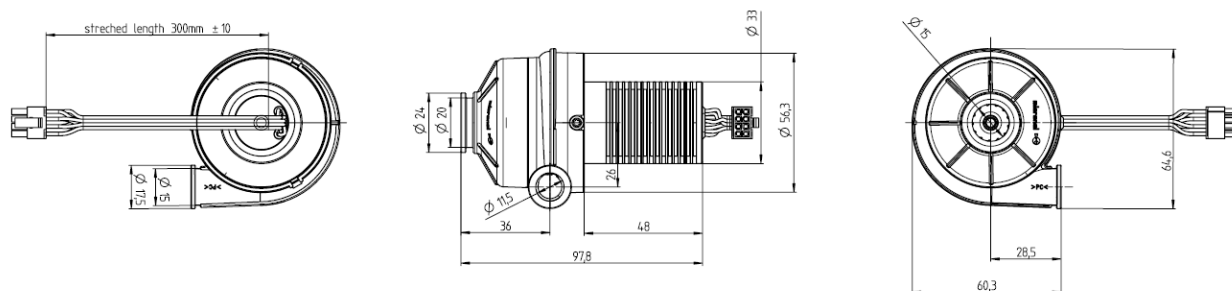
p/Q-Diagram


Density 1.2g/dm³



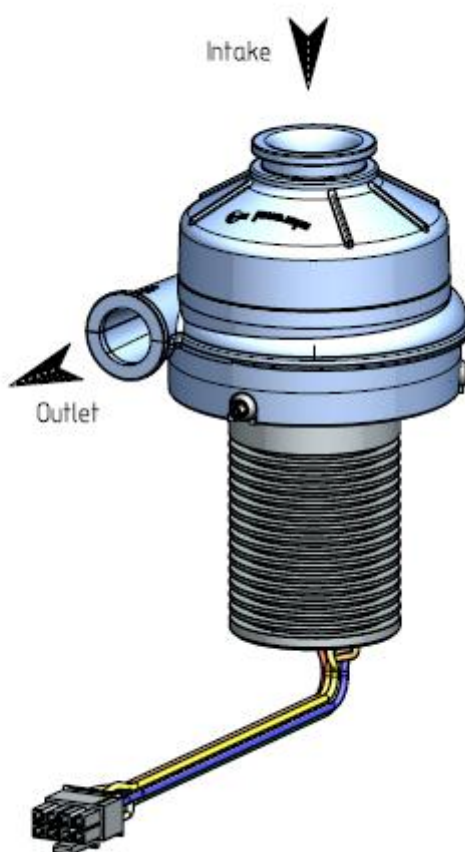
Blower limits	Maximum speed		45'000 1/min
	Max. allowed temperature on heat sink surface:		85°C
	Exceeding the blower limits during continuous operation may cause permanent damage! Handle only in currentless condition!		
Information	Heat sink temperature increase at 18 V, freeblowing		10 K
	Heat sink temperature increase at 18 V, static pressure		34 K
Power supply requirements	Ripple voltage < 5%		
	3000 mA (nominal voltage)		
Mechanical	Acoustic emission level at nominal voltage	LpA 1m [dB(A)] Distance: 1 m	74 at 1'000 Pa (10mbar)
	Weight	m [gr.]	270
	Balancing class	G [mm/s]	<6.3
Tests	MTTF		10'000 h at nominal voltage
	Test conditions		Outlet orifice: 4.5 mm Ambient temperature: 45°C Cycle: 24h on Air quality: free of dust, fumes and unnatural concentrations of gases. -20 to +50
Environmental	Temperature range (operating and stock)	[°C]	
	Humidity	% RH	10 to 95
	Protection class (Norm EN60529)		IP 40

Dimensional Drawing



Direction of rotation CCW 

Picture



**Electrical
 Connectors
 U65H2-024KX-F**

Connector pin assignment
 Connector type : MOLEX 43025-0800

AWG	PIN	Description	Colour
24	1	Hall sensor 1	Blue
24	2	Hall sensor 2	Black
24	3	Vhall 4.5...18VDC	Yellow
24	4	Motorwinding 3	Orange
24	5	Hall sensor 3	Grey
24	6	GND	Green
24	7	Motorwinding 1	Brown
24	8	Motorwinding 2	Red

Standards

CE Document: CE-KE-X2012-U-Line.pdf
 RoHS II Document: Conformity-
 REACH Declaration_Micronel_Apr_2013.pdf

Additional document -

Disclaimer

General All data can be subject to change without advanced notice.
 Performance data Values listed are nominal and can vary due to component tolerances.

Revision

0 01.07.2014 RA Spec. created
1 09.05.2017 RA Added DP190 to seal blower